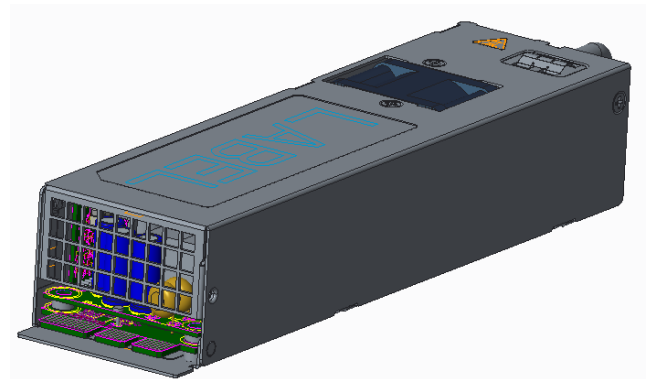
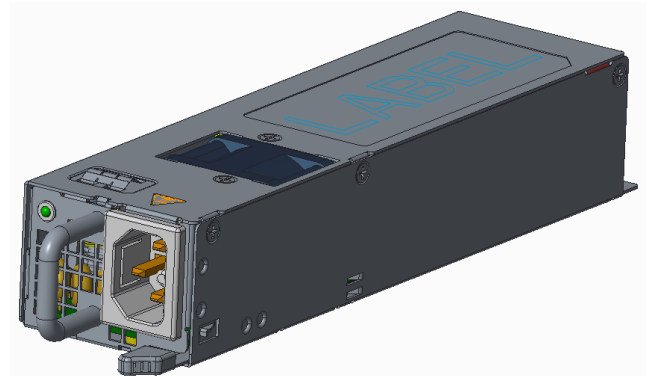


LITEON Server Power Supply 600W, 54.5mm

Features:


- 80 PLUS® Platinum
- Holdup Time: 16mS
- AC Input Range: 90Vac ~ -264Vac
- DC Input Range: 180Vdc ~ -300Vdc
- Output Voltage 12 Vdc, + 5 VSB
- N+N (max.= 2) Redundant power supply with Hot plug, current sharing & remote sensing
- Self-cooling with fan speed control / One Bi-color LED indicators
- PMBus Compliant 1.2
- Protection include OCP, OVP, UVP, OTP and Brownout
- 600W is in 54.5mm (W) x40mm (H) x 200mm (L)
- Altitude: 5,000 meters
- Operating Temperature: -40°C ~ 70°C
- Compliance EMC IEC/EN 55032
- EMI Class B, -4dB margin
- Safety Certificates: IEC 60950-1, IEC62368 2nd, IEC/EN 62368 3rd and UL/CSA62368-1 2nd Ed




Electrical Specifications:


Parameter	Description	Parameter	Description
Input voltage	AC input 90Vac ~ -264Vac DC input 180Vdc ~ -300Vdc	Main Output Voltage(12VDC)	12.0Vdc ± 5%
		STB Output Voltage	5.0Vdc ± 5%
iTHD	≤10%@20% Load; ≤8%@50% Load; ≤5%@5% Load	12VDC Current Rating	50A @90Vac ~ -264Vac
Power Factor (PF)	≥0.95@20% Load; ≥0.95@50% Load; ≥0.98@100% Load	Capacitive Load	25,000uF
		STB Current Rating	3A
Efficiency	94% @ 50% load	Power Rating	600W @90Vac ~ -264Vac
Redundant	N+N Redundant, Nmax=2	Hold Up Time	16ms @ Full load

LITEON Server Power Supply 600W, 54.5mm

 Protection			
Parameter	Description	Parameter	Description
12VDC OCP @ High Line	Current is above 65A for 10s, or Current is above 72.5A for 20ms (Hiccup mode)	STB OCP	Current is above 5.1A (Hiccup mode)
12VDC OCP @ Low Line	NA	STB OVP	Voltage is above 6.0V~7.2V (Auto recovery mode)
12VDC OVP	Voltage is above 13.3V~15.6V (Latch mode)		
12VDC UVP	Voltage is below 10.0V ~ 11.0V (Hiccup mode)	Over Temperature	Ambient Temperature (Auto restart mode)
Input Brownout	Voltage is below 78vac (Auto restart mode)	Input OVP	Voltage is above 85Vdc (Auto restart mode)

 Control Signal / Indicate Signal / LED			
Parameter	Description	Parameter	Description
PSON_L	Input signal PSON_L = LOW to turn on 12VDC	PMBus	Version 1.2 I2C interface with 100KHz
		ALERT_L	Output signal ALERT_L = LOW to indicate WARNING event (Event Programmable)
PSKILL_H	Input signal PSKILL_H = HIGH to disable 12VDC	LED	Green Flashing --> Standby mode
			Green Solid --> 12VDC active mode
			Amber--> Fault protection Flashing 1s Amber and 1s Green-> warning event.
PWOK_H	Output signal PWOK_H = High to indicate the 12VDC existence	PDB_ALERT	Input signal PDB_ALERT = HIGH: fan follows PSU control. PDB_ALERT = LOW: fan works at maximum speed.
ACOK_H	Output signal ACOK_H = High to indicate Input existence	PDB_FAULT	Input signal PDB_FAULT = HIGH to disable 12VDC

LITEON Server Power Supply 600W, 54.5mm

 Environment / Reliability			
Parameter	Description	Parameter	Description
Operation Temp.	-40°C ~ 70°C	MTBF	200K hours at rated load, 50°C amb. temp.
Operating Humidity	5% ~ 95%	ECAP Life	5 years at rated load, 50°C amb. temp.
Storage Temp.	-40°C ~ 85°C	Air Flow	Reverse mode
Storage Humidity	5% ~ 100%	Fan Life	5 years at rated load, 50°C amb. temp.
Operating Altitude	5000 meters		

Safety Approvals		
Insulation safety rating	Input / Output	Reinforce
	Input / Case	Basic
	Output / Case	Basic
Hi-pot strength	Input / Output	3000Vac or 4242Vdc/1min
	Input / Case	1800Vac or 2500Vdc/1min
Touch Current		NA
EMC Requirements		
Radiated Emissions CISPR 22/ EN55022/ FCC Part 15		Class B/ -4dB
Conducted Emissions CISPR 22/ EN55022/ FCC Part 15		Class B/ -4dB
EN61000-3-2 Harmonics (AC Rated Input Current <=16A per phase)		Class A
EN61000-3-3 Voltage Fluctuations and Flicker (AC Rated Input Current <=16A per phase)		NA
IEC61000-4-2 ESD		8kV Contact / 15kV Air
IEC61000-4-3 Radiated Immunity		80-1000Mhz 3V/m, Criteria A
IEC61000-4-4 EFT (5kHz and 100kHz repetition rates)		1KV, Criteria A.

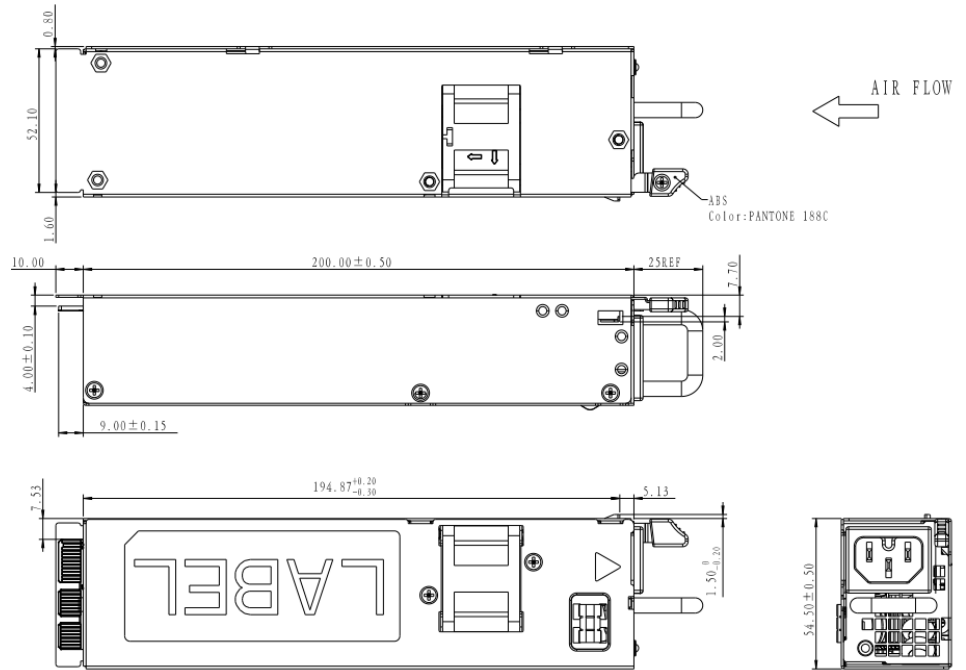
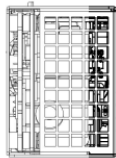
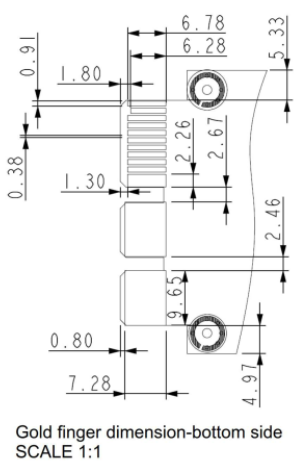


LITEON Server Power Supply 600W, 54.5mm

GR-1089-Core Surge	AC Input, $\pm 6.0\text{KV}/2\text{ohm}$ in CM, $\pm 6.0\text{KV}/2\text{ohm}$ in DM, DC Input, $\pm 1.0\text{KV}/2\text{ohm}$ in CM, $\pm 1.0\text{KV}/2\text{ohm}$ in DM
IEC61000-4-6 Conducted Immunity	150KHz-80MHz, 3Vrms, Performance Criteria A required
IEC61000-4-11 Voltage dips, short interruptions and voltage variations immunity tests	NA

LITEON Server Power Supply 600W, 54.5mm

Dimension:



AC Inlet Socket	
Connector Type	C16
Drawing	<p>Dimensions: 31.00, 24.00^{+0.5}/₋₀, 14.00 ± 0.2, 4.00 ± 0.2, 24.10, 16.00^{+0.5}/₋₀, 4.50⁺⁰/_{-0.3}, 3-2.00 ± 0.05, 22.10 ± 0.3</p> <p>Labels: TECX, C16, 15A 250V~, 此处刻模号</p>
Output Connector and Assignment	
Connector Type	OUP11N (9392-C4S24P04N12CB30DA)
Drawing	<p>TOP: TP2, TP1, TS12, TS1</p> <p>BOTTOM: BP2, BP1, BS24, BS13</p>

LITEON Server Power Supply 600W, 54.5mm

Pin Definition			
PIN	Name	PIN	Name
TP2	GND	BP2	+12V
TP1	GND	BP1	+12V
TS12	5V STBY	BS24	5V STBY
TS11	5V STBY	BS23	5V STBY
TS10	Reserved	BS22	A1 (SMBus address)
TS9	Reserved	BS21	PW_OK
TS8	Reserved	BS20	PS_ON
TS7	INPUT_OK	BS19	PS_KILL
TS6	Reserved	BS18	PMBus SCL
TS5	Reserved	BS17	PMBus SDA
TS4	Reserved	BS16	SMBus_ALERT
TS3	A0 (SMBus address)	BS15	ISHARE
TS2	PRESENT	BS14	M_SENSE_RTN
TS1	NC	BS13	MAIN_SENSE