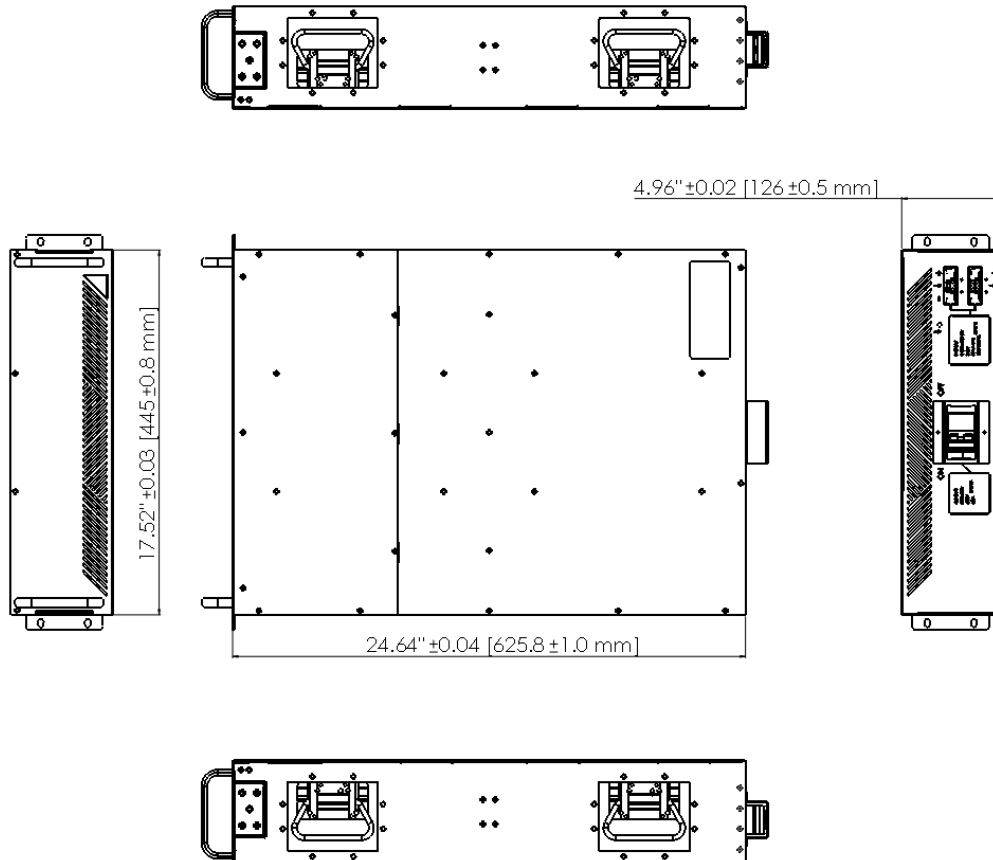


The BK-1151-010U is an Extended Battery Module (EBM) with a 240VDC link voltage that is compatible with the VPOC system. The EBM extends the VPOC run-time up to 3.5 minutes at 10kW. The EBM is recharged by the VPOC when system AC power is active.

- Extends VPOC run-time
- 10kW DC Output
- Quiet, fanless design
- 3U rack-mounted module
- Side-mounted handles for transport
- Battery temperature sense capability
- Integrated circuit breaker
- Touch-safe connectors
- 2 year warranty



The VPOC™ system provides a comprehensive power management and battery backup capability based on multiple building blocks with configuration flexibility to suit specific power, size, and run-time requirements. The table below provides additional information on the different building blocks available to create a customized power solution. Please visit our website for more in-depth information or contact your local Lite-On PSS representative for support.

Component	Model Number	Description
VPOC™ Shelf	VP-3103-111U	1U VPOC™ Power Shelf with 3 slots
VPOC™ Power Module	VM-3101-111U	10kW Power Module
VPOC™ PDU	RU-2020-082N	1U or 0U Cabinet PDU with 20A fuse and IEC320-C13 receptacles (6) plus IEC320-C19 receptacles (2)
	RU-2020-081N	1U or 0U expansion PDU with 20A fuse and IEC320-C13 receptacles (6) plus IEC320-C19 receptacles (2)
VPOC™ Li-ion Battery Module	BM-1502-010U	2.5 minute run-time at 5kW (2 battery units provide 2.5 minutes at 10kW)
VRLA Extended Battery Module	BK-1151-010U	3U EBM equipped with VRLA batteries for 3.5 minutes run-time at 10kW
Site Management Controller	CP-13EC-010U	Rack management and control
19" Rack	KT-1942-10-1	19-inch EIA rack

